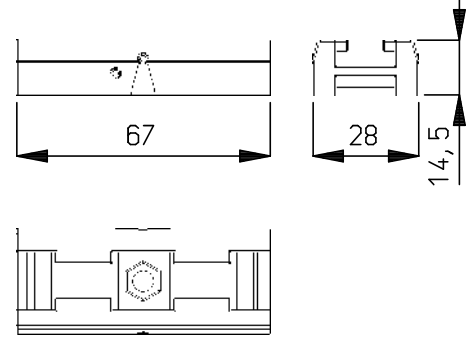
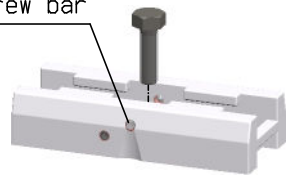


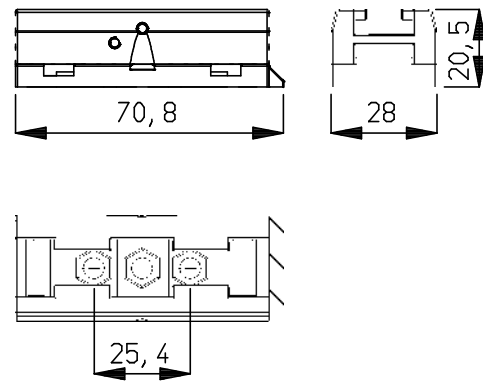
Option 3 (fixed bracket)



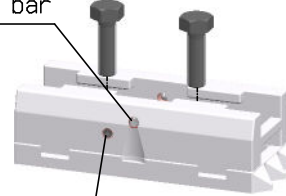
locking screw bar



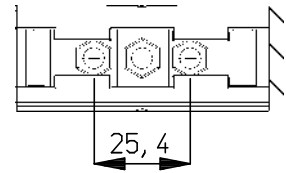
Option 2 (slide bracket)



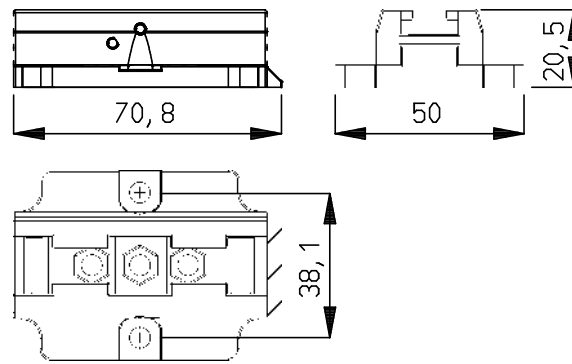
locking screw bar



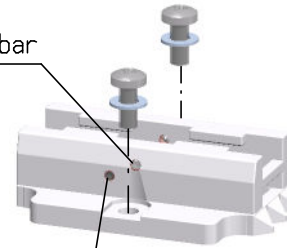
locking screw bracket



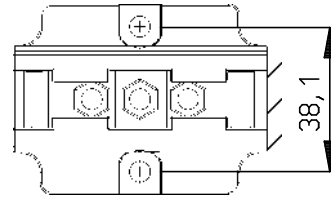
Option 1 (slide bracket)



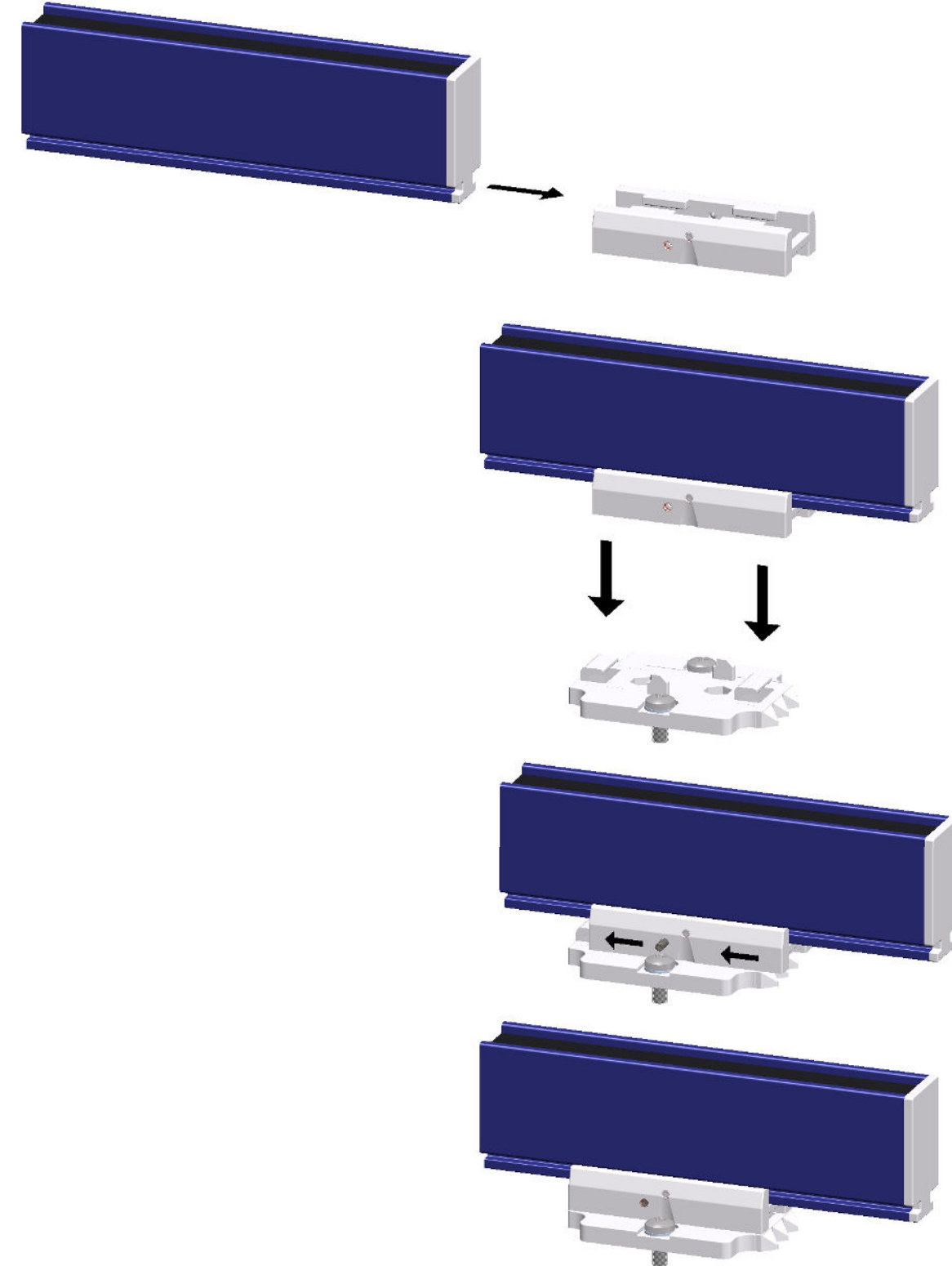
locking screw bar



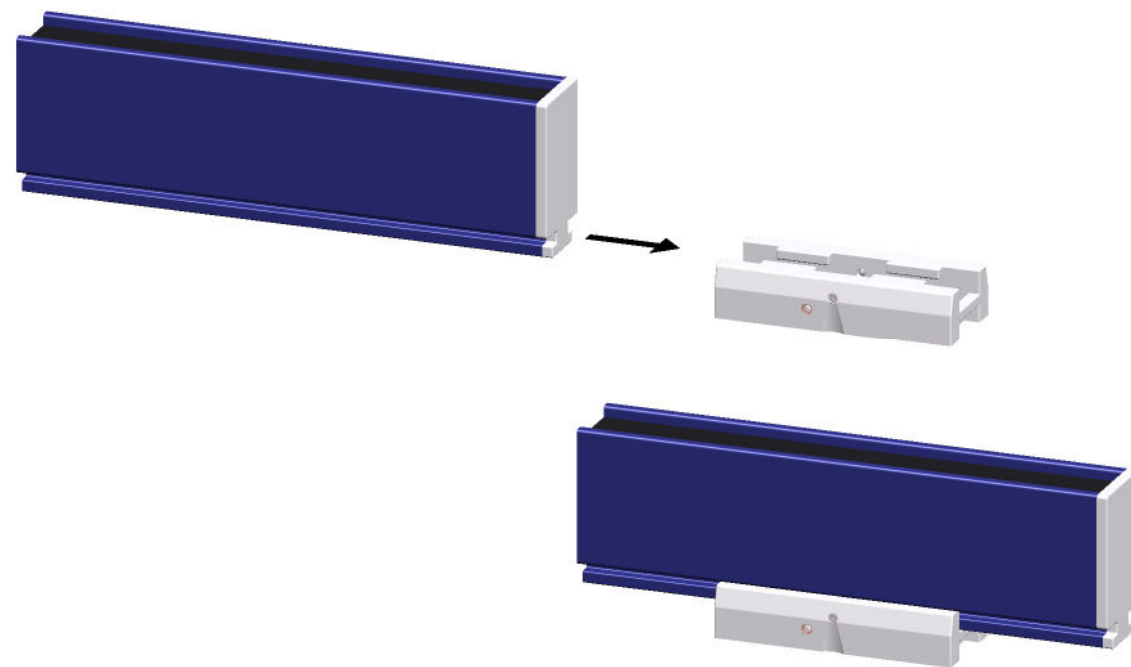
locking screw bracket





Example: Anti Static Bar easily slided on bracket

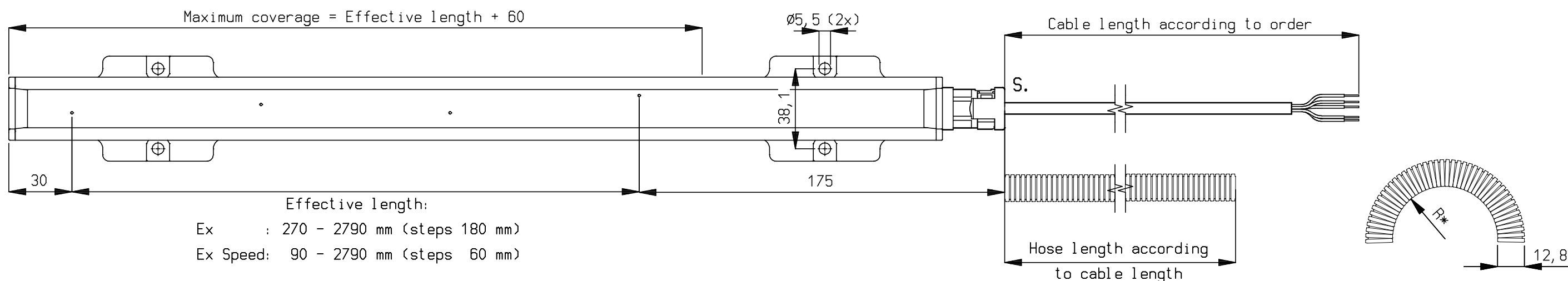
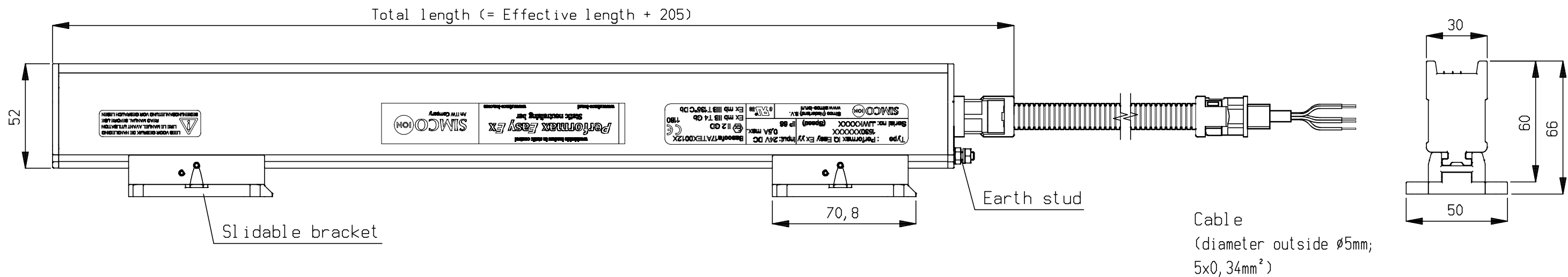


Example: total Anti Static Bar to be slided on fixed bracket



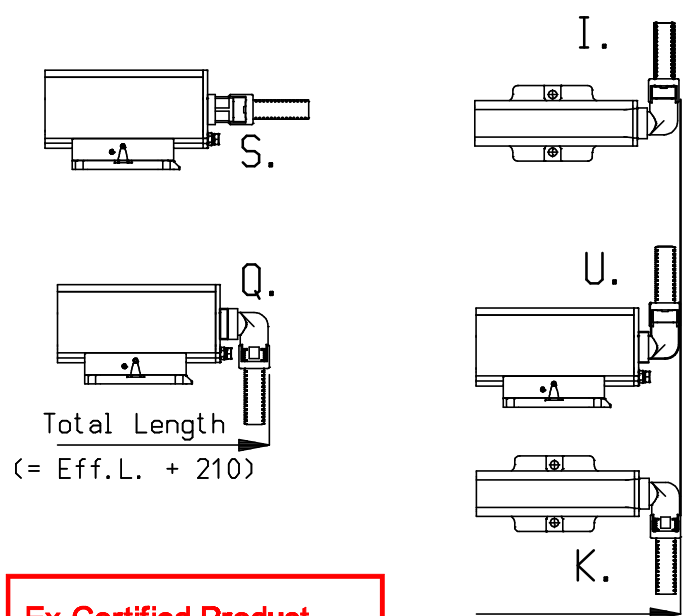
Mouting bolts or screws M5 (not included)
(type depending on option)

 An ITW Company www.simco-ion.nl Tel: +31 (0)573 288333	Name: Bracket Bars, mounting options					Drawn: MVN	Part no.: 4532000100
	CAD generated NOT updated	Dimensions in mm	Date: 15-10-2012	A3	M: 1:1	 ECN2013-032	Check: -



R* min. R (fixed installation) = 25mm
min. R (flexible installation) = 65mm

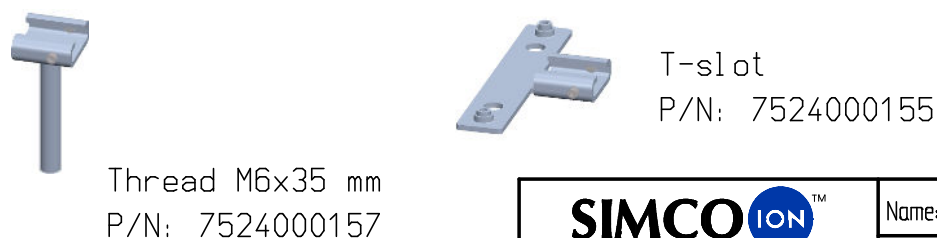
Cable exit options



Parts separate to order

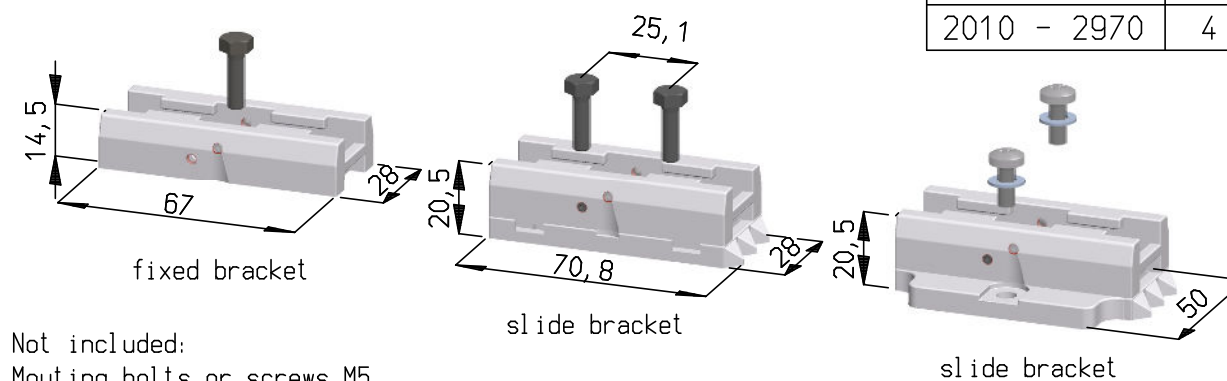


Optional Mounting brackets (Stainless steel)



Included Mounting brackets with mounting options

P/N: 4532000100

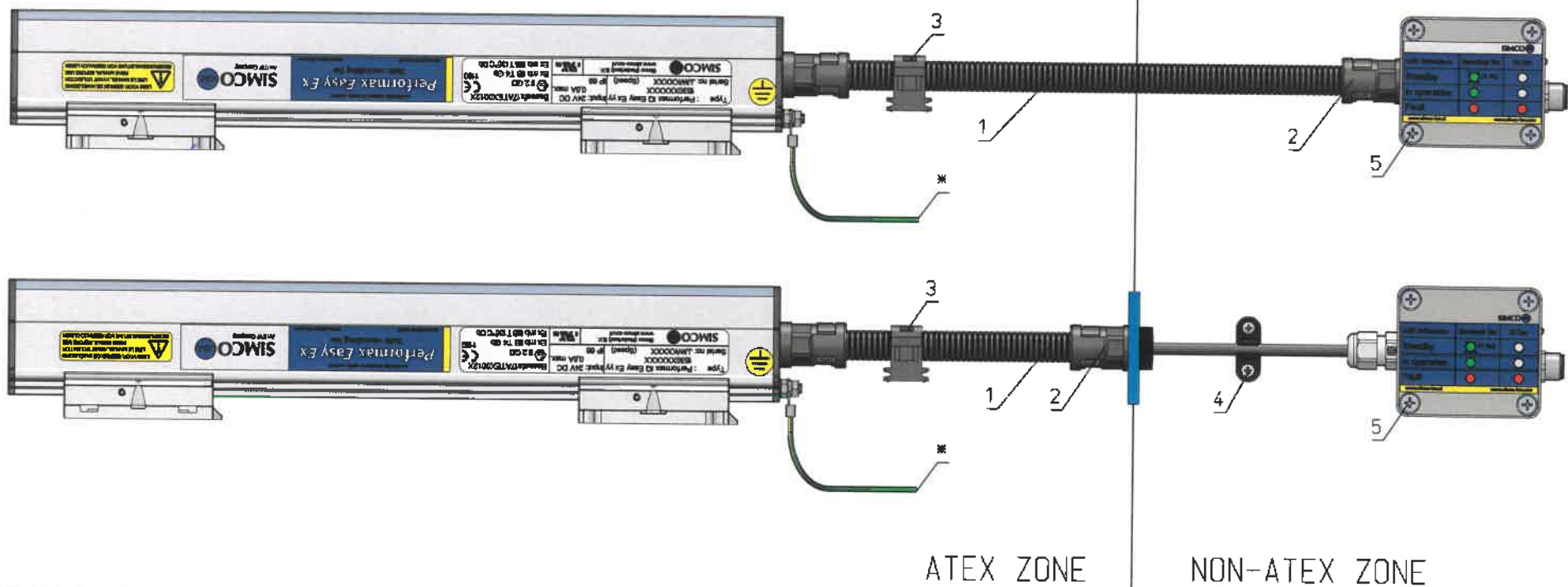


Not included:
Mounting bolts or screws M5
(type depending on option)

Ex Certified Product
No modifications permitted without the approval of the "authorised person"

Total length
(= Eff.L. + 205)

SIMCO ION An ITW Company www.simco-ion.nl Tel: +31 (0)573 288333		Name: Performax (IQ) Easy Ex (Protective hose version)				Drawn: RJ	Part no.: -
CAD generated NOT updated	Dimensions in mm	Date: 27-3-2017	A3	M: 1:2	ECN-	Check: -	Dwg. no.: 15300000/D



To be ordered separately:

- 1 Protective hose ATEX
Item nr. 9380531320
- 2 Fitting ATEX with nut M12x1,5
Item nr. 5055000210
- 3 Hose clip ATEX
Item nr. 9250101013, needed 4 pieces/meter hose
- 4 Cable clamp 5 mm
Item nr. 9250101104, needed 4 pieces/meter cable
- 5 Status Module
Item nr. 4530000300, needed one Status Module per bar

*: Connect earth wire (min 4 mm²) to PE (Protected earth)

Ex Certified Product

No modifications permitted without the approval of the "authorised person"

 <small>An ITW Company</small> <small>www.simco-ion.nl Tel: +31 (0)573 288353</small>	Name: Performax (IQ) Easy EX (Speed) installation overview					Drawn: RJ	Part no.: —
	CAD generated NOT updated	Dimensions in mm	Date: 28-6-2017	A3	M: 1:1		ECN-

Power Cord IEC 320 2m
9146340620

Desktop Power supply
100-240V AC to 24V DC
4524001000 - 5m cord
4524001002 - 15m cord

DIN rail Power supply
100-240V AC to 24V DC 10A
7519020435 (max. 16 bars)

DIN rail Power supply
100-240V AC to 24V DC 4A
7519020425 (max. 5 bars)

DIN rail Power supply (UL)
100-240V AC to 24V DC 3, 3A
7519020430 (max. 5 bars)

Connector device M12 female angled
5 pole (screw connections)
7519020355 - Ø4-6 mm cables
7519020356 - Ø6-8 mm cables
Connector device M12 female straight
5 pole (screw connections)
7519020350 - Ø4-6 mm cables
7519020351 - Ø6-8 mm cables

Status Module
Performax (IQ) Easy EX
4530000300

Cord device M12 female angled 5 pole
7519020375 - 5 m, unshielded
7519020376 - 10 m, unshielded

Cord device M12 female straight 5 pole
7519020365 - 5 m, unshielded
7519020366 - 10 m, unshielded

Protective hose ATEX
9380531320 per m

Hose clip ATEX
9250101013 needed 4 pieces /m hose

Fitting ATEX
9370521017


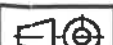
ATEX ZONE

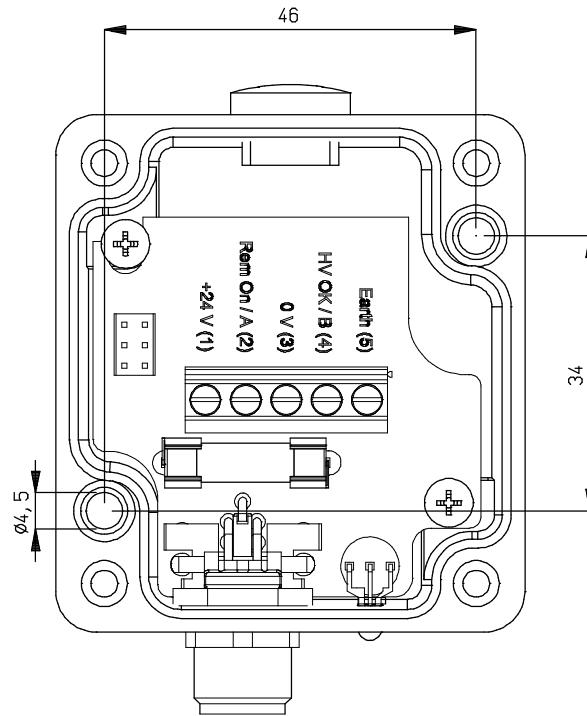
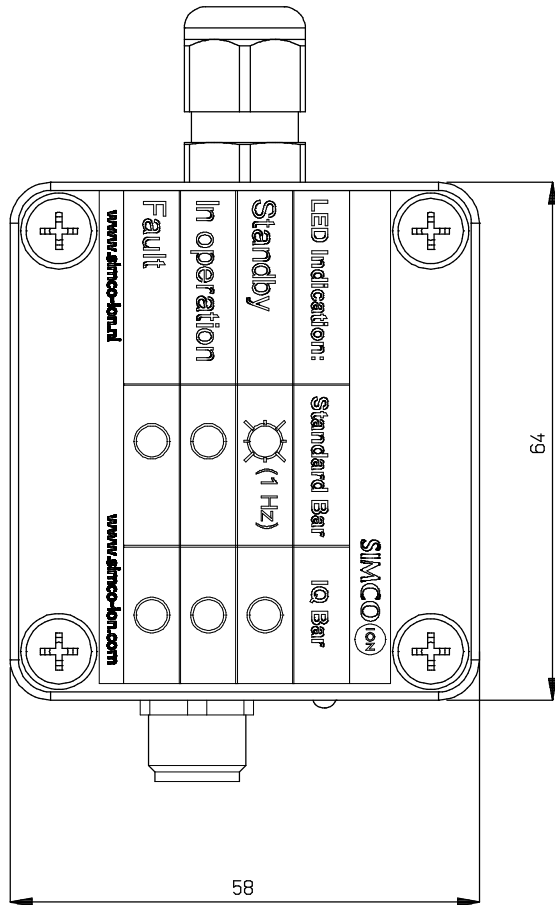
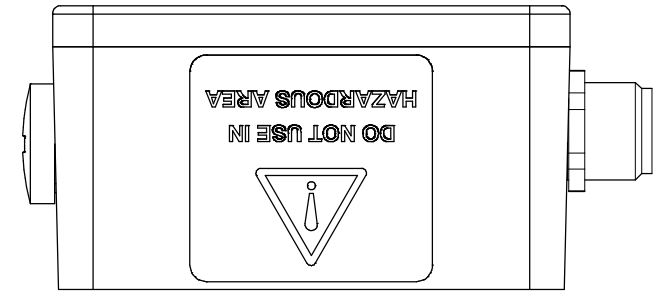
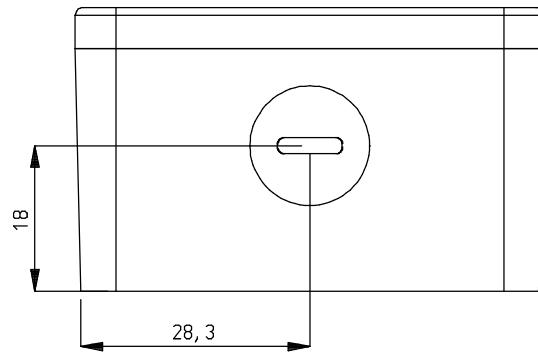
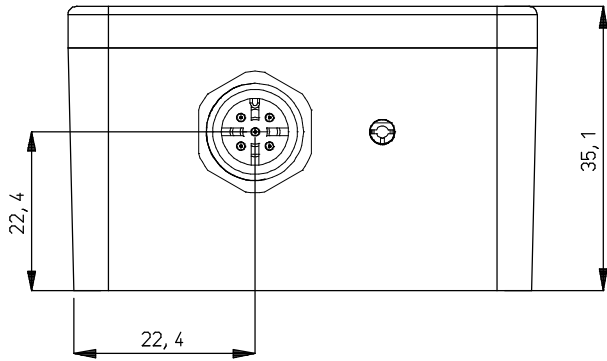
NON-ATEX ZONE

Ex Certified Product
No modifications permitted without the approval of the "authorised person"

Remark:

- The Status Module Performax (IQ) Easy EX has one connection for a bar

 An ITW Company www.simco-ion.nl Tel: +31 (0)573 288333	Name: Performax Easy EX (Speed) system overview				Drawn: RJ	Part no.: -
	CAD generated NOT updated	Dimensions in mm	Date: 2-2-2017	A3 M: 1:1	 ECN-	Check: <i>RB</i>



Fuse 0,5 AT with 1500 A breaking capacity included



Included, only needed for cable without hose



Ex Certified Product
No modifications permitted without the approval of the "authorised person"

<p>An ITW Company www.simco-ion.nl Tel: +31 (0)573 288333</p>	Name: Status Module Performax (IQ) Easy Ex					Drawn: RJ	Part no.: 4530000300
	CAD generated NOT updated	Dimensions in mm	Date: 23-2-2017	A3 M: 1,5:1	ECN-	Check: -	Dwg. no.: 15300300/C